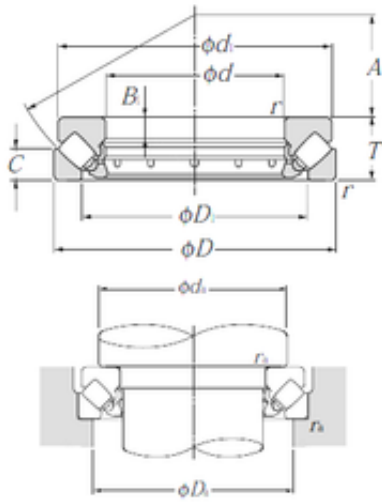




BEARING PRECISION AXLE CORP.



29492 NTN Thrust Spherical Roller Bearing

Bearing No. 29492

Size	460x800x206 mm
Bore Diameter	460 mm
Outer Diameter	800 mm
Width	206 mm
d	460 mm
D	800 mm
T	206 mm
B1	74 mm
C	100 mm
d1	765 mm
r min.	9,5 mm
A	272 mm
D1	608 mm
da min.	615 mm
Da max.	690 mm
ra max.	8 mm
Weight	443 Kg
Basic dynamic load rating (C)	6 600 kN
Basic static load rating (C0)	27 900 kN

29492 Bearing 2D drawings and 3D CAD models