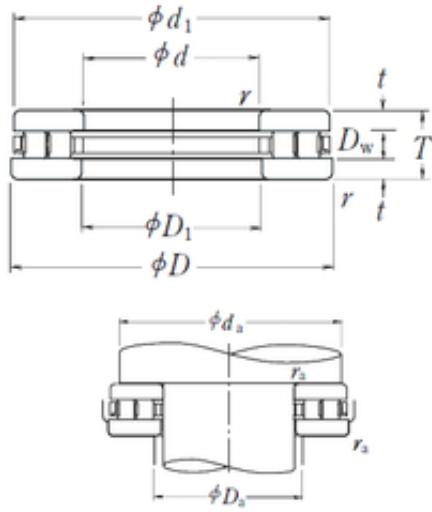




# BEARING PRECISION AXLE CORP.



## 180TMP94 NSK THRUST CYLINDRICAL ROLLER BEARING

Bearing No. 180TMP94

Size	180x360x109 mm
Bore Diameter	180 mm
Outer Diameter	360 mm
Width	109 mm
d	180 mm
D	360 mm
hidYobi	180TMP94
LangID	1
D_	360
C	1640
B_	109
hidTable	ecat_NSCRT
Oil rpm	710
mass	58.2
d1	354
GRS rpm	240
ra	4
D_a	205
C0	6200
D_1	189
Prod_Type3	TB_TCRB_A
da	335
DA_	45
Z_	24
Dw	45

180TMP94 Bearing 2D drawings and 3D CAD models



## BEARING PRECISION AXLE CORP.

yobi	180TMP94
RAC	130
t	32
r	5
T_	109
KBRG	4614